

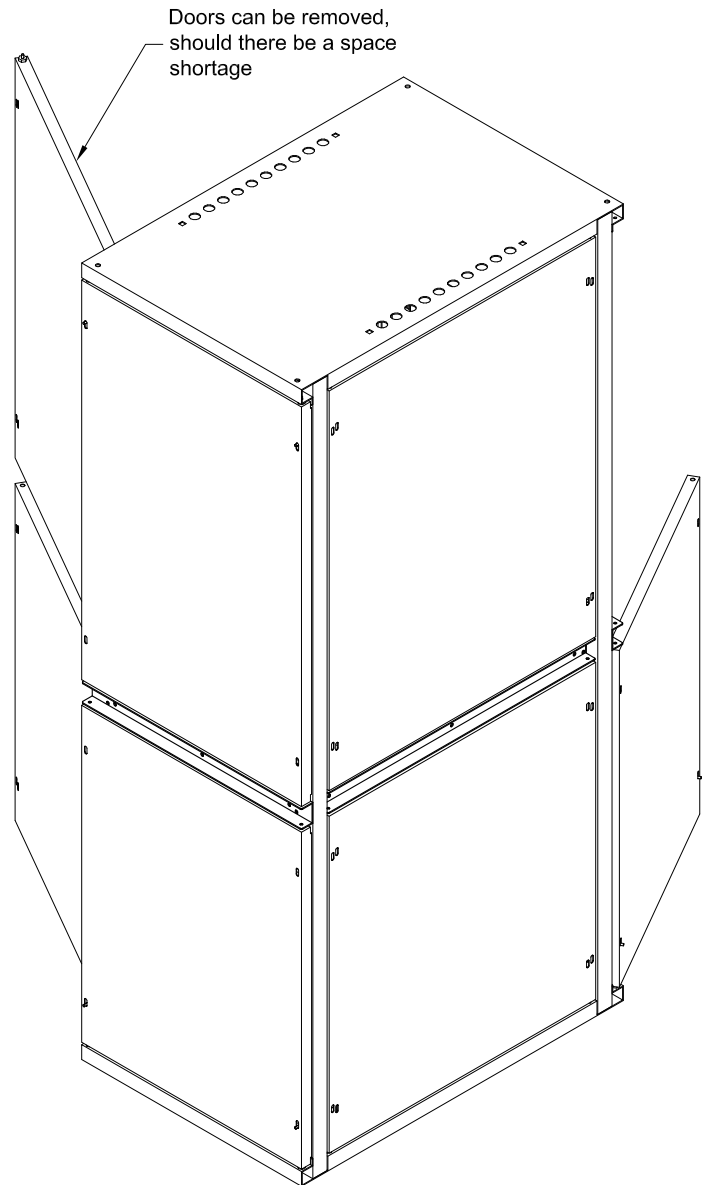
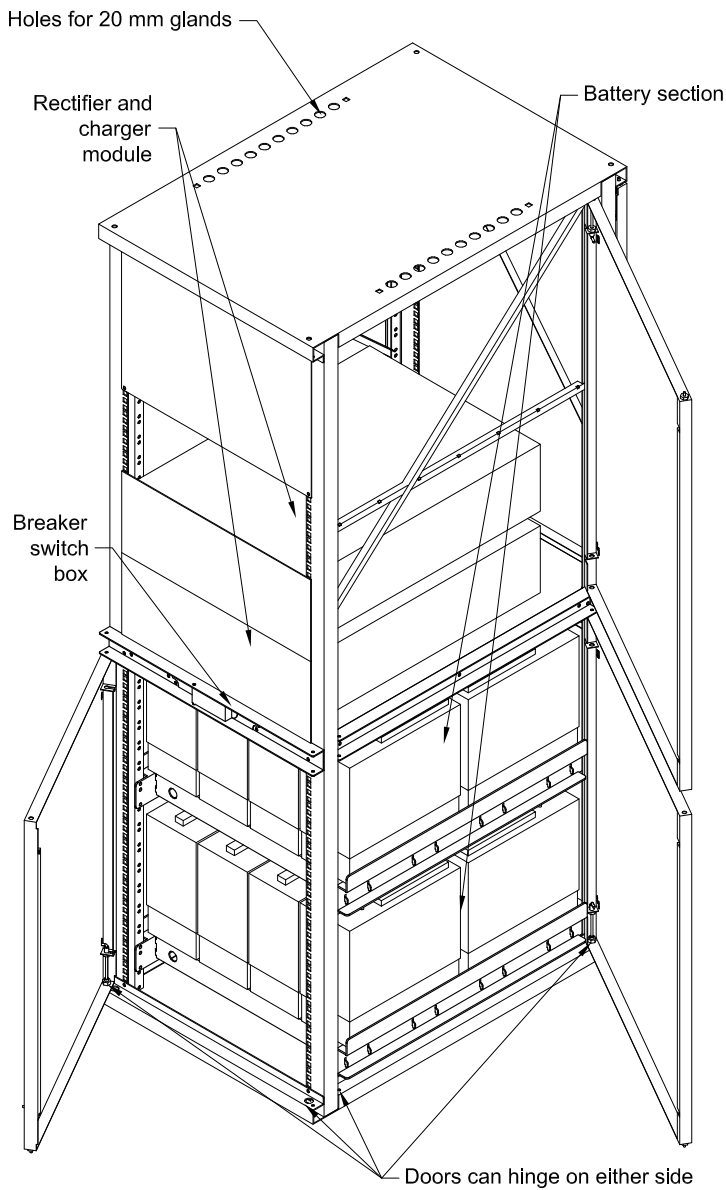
UPS Cabinet

Cabinet criteria

- . All steel work consist of grade 300WA Steel (Finnish Epoxy coated).
- . Battery space is separate from UPS and charger.
- . There is an 220 V extractor fan in the battery section.

Specifications

- . Size: 540 X 791 footprint X 1700 Height
- . Safe working loading: 600 kg



Graffo *Innovative wireless infrastructure solutions*

Tel: +27 (0)21 905-0010

Fax: +27 (0)21 905-0020

Web: www.graffo.co.za