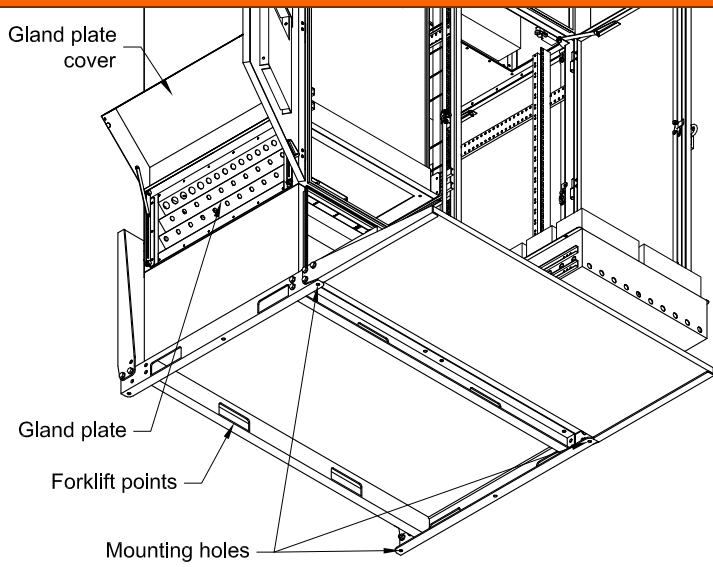


Equipment Cabinet



Container criteria

- . all steel work consist of grade 3CR12 S/S (Finnish Epoxy Coated).
- . Cabinet consist of modules and can be assembled on site.
- . All fasteners grade 304 S/S.
- . All rivets used are blind rivets with .
- . Aluminum shaft to prevent rusting after installation.
- . An Additional 43U cabinet could be installed for Expansion

Specifications

- . Size (internal): 0.8(W)x1.4(L)x2.3(H).
- . Housing electronic equipment in a controlled environment, at altitudes ranging from sea level to 3 000 m.
- . Ambient temperatures ranging from 0 °C to + 40 °C.
- . Maximum relative humidity of 90%.
- . Wind speeds of up to 126 kph (35m/s).
- . Expected service life 10 years.

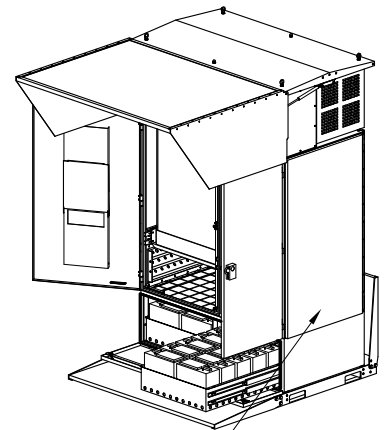
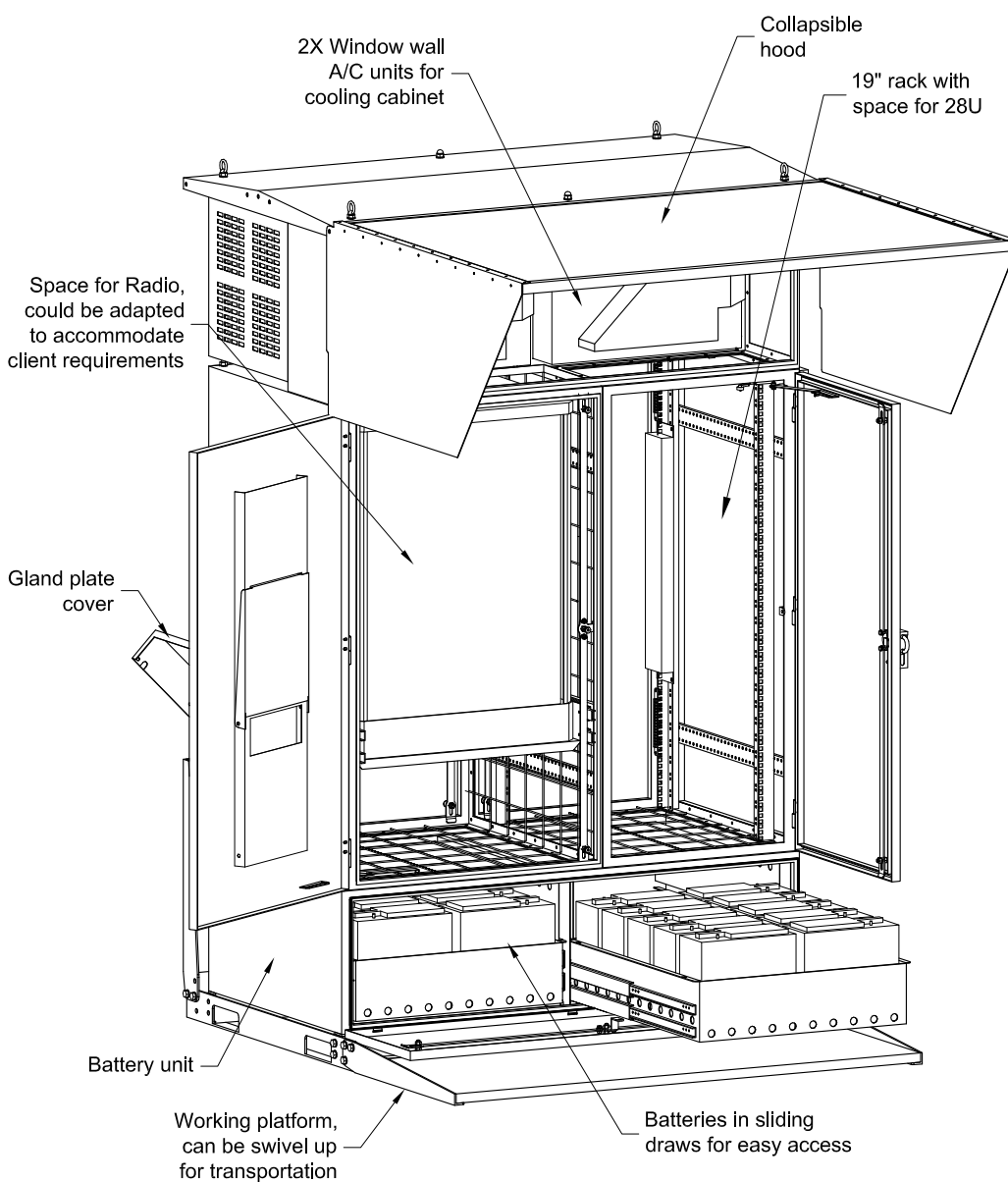
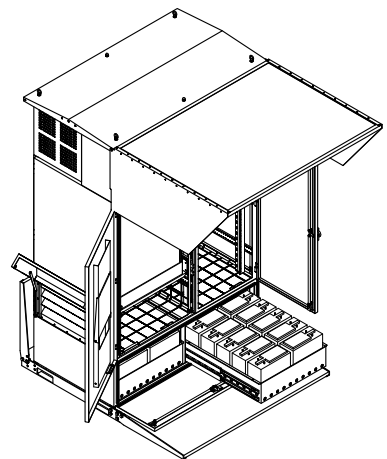


Plate can be removed for expansion



Graffo Innovative wireless infrastructure solutions

Tel: +27 (0)21 905-0010

Fax: +27 (0)21 905-0020

Web: www.graffo.co.za