

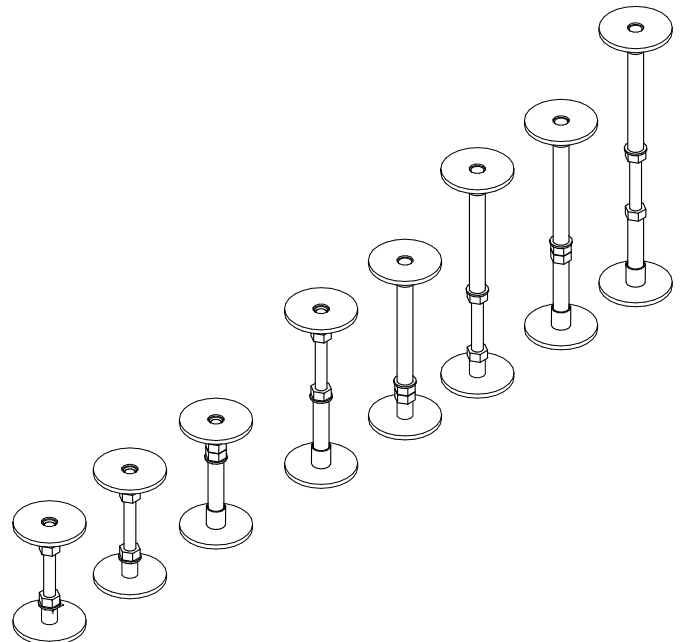
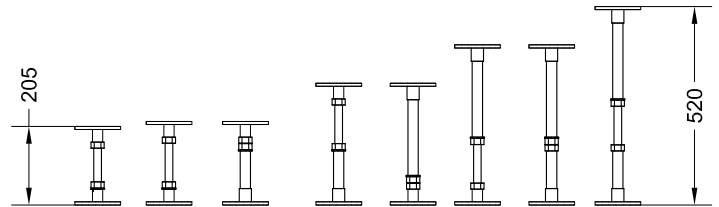
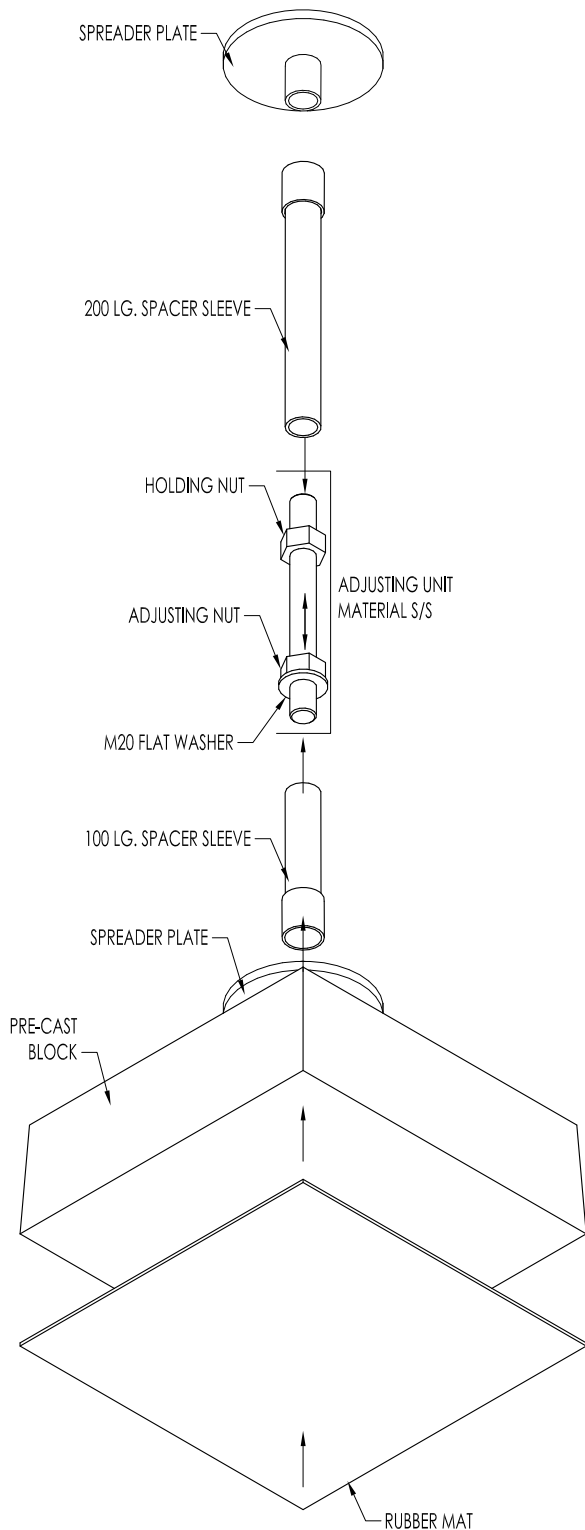
## Container Prop

### Prop criteria

- . All steel work consist of grade 300WA Steel (Finnish Hot dip Galvanized).
- . All items are interchangeable
- . All fasteners grade 304 S/S.
- . Prop should not be used as a jacking unit, for this might damage the S/S thread.
- . Pre cast block not supplied.

### Specifications

- . Adjust ability: 205 to 520 mm
- . Safe working loading: 2000 kg



**Graffo** *Innovative wireless infrastructure solutions*

Tel: +27 (0)21 905-0010

Fax: +27 (0)21 905-0020

Web: [www.graffo.co.za](http://www.graffo.co.za)