

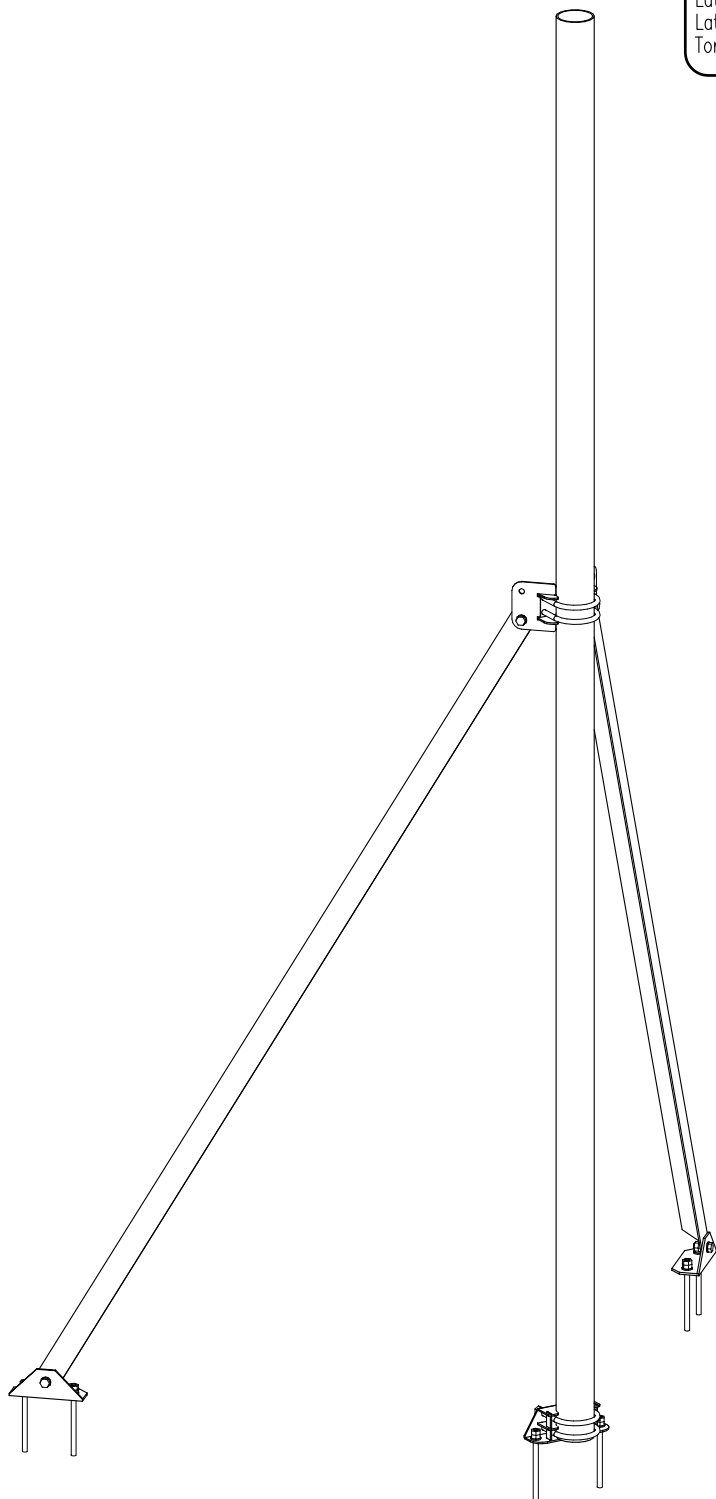
Note:

- Values stated in Specifications are for bracket only, tower structure to be checked for additional loading before installation
- All items finish hot dip galvanized
- All fasteners M10 Grade 8.8 HDG.
- All fasteners to be torqued 45Nm ($\pm 10\%$)
- Weight of bracket incl. fasteners = 32.8kg

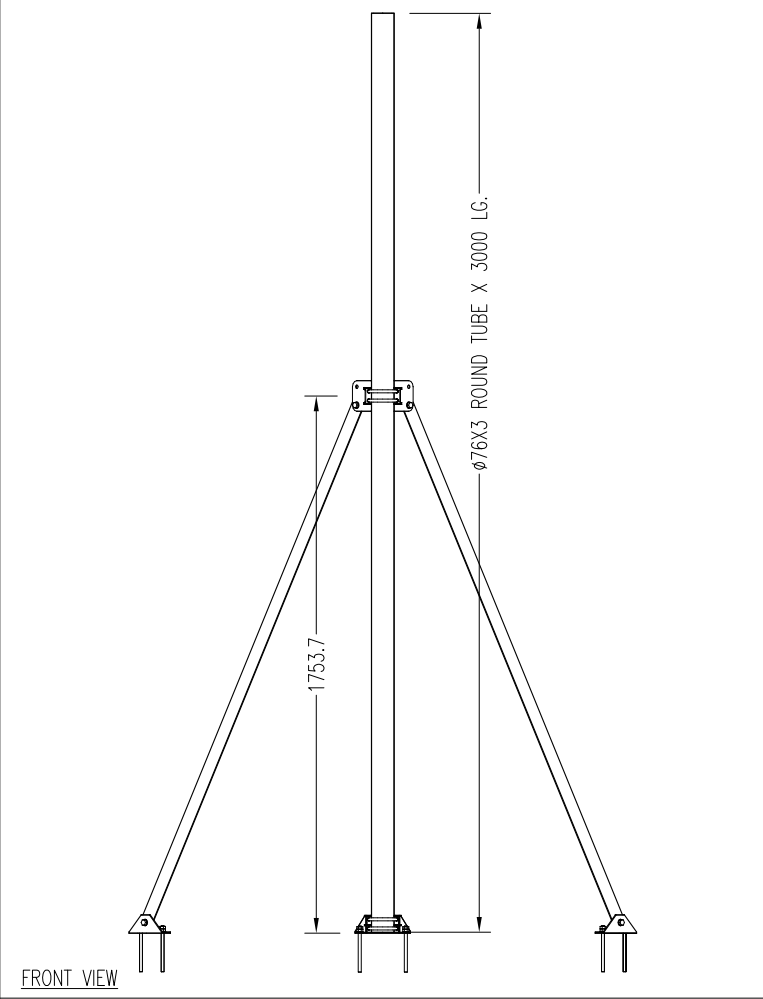
Specifications	
Design Criteria	
SANS 10160(Wind load) SANS 10162(Structural)	
Safe work load	
Dead weight	A 120kg
Lateral loading (Front) Combined	B 80kg
Lateral loading (Side) Combined	C 80kg
Lateral loading (Back) Combined	D 80kg
Torque (On tubing)	E 1200Nm

Parts list	
Qty/Description	Part number
1x3m $\phi 76$ pole	RTU167
1xBottom support bracket	GR112/501/01-00
1xTop support bracket	GR112/501/02-00
2xStays	GR112/501/03-00
2xStay to ground bracket	GR112/501/04-00

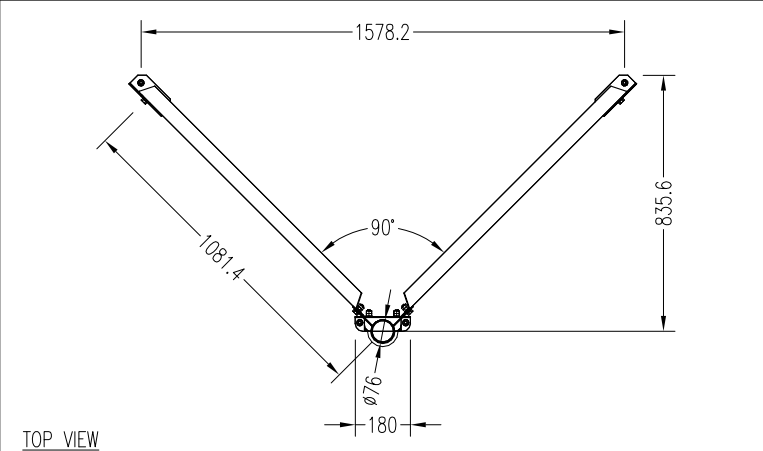
Fasteners list	
Description	Qty
M10X30 HDG Setscrew	4
M10 Hex nut	24
M10 Flat washer	16
M10 X $\phi 76$ U-Bolt	4



ISOMETRIC VIEW (Typical installation)



FRONT VIEW



TOP VIEW



Graffo Innovative wireless infrastructure solutions

76 Floor mount with support arms
Part no. : GR112-501-00-00A

Tel: +27 (0)21 905-0010

Fax: +27 (0)21 905-0020

Web: www.graffo.co.za