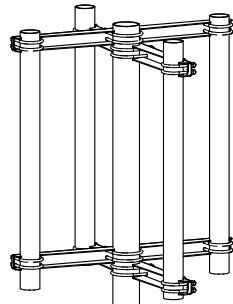


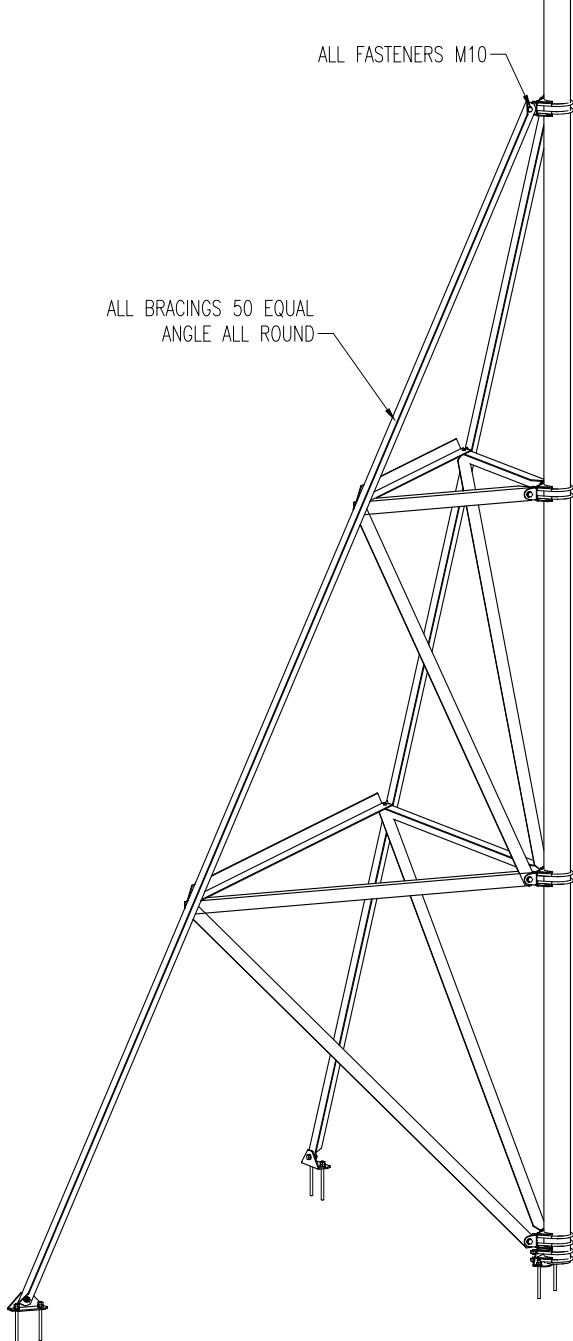
Note:

- . All items finish hot dip galvanized
- . All fasteners M10 Grade 8.8 HDG.
- . All fasteners to be torqued 45Nm ($\pm 10\%$)
- . Weight of bracket incl. fasteners = 186kg

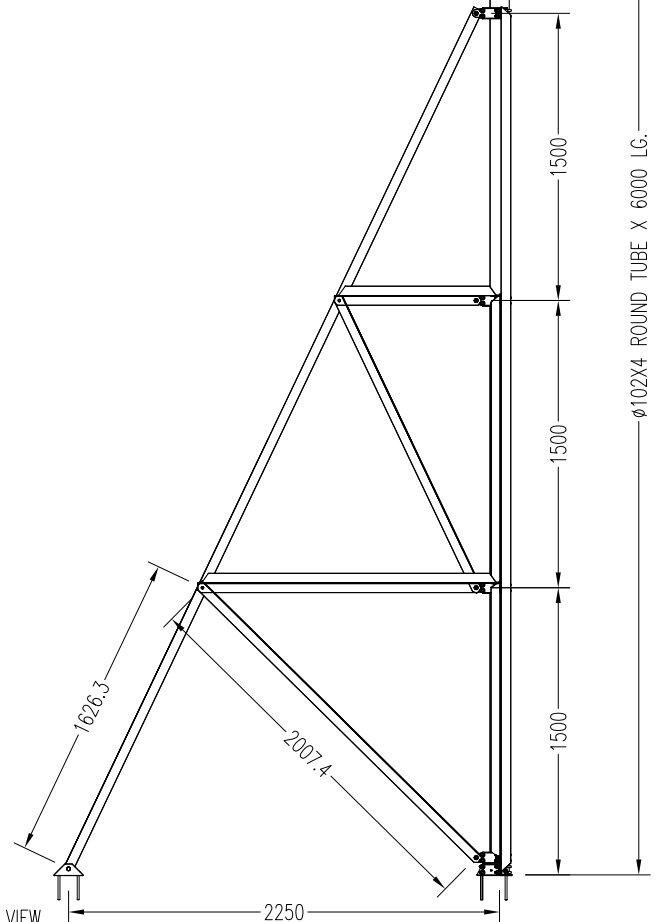
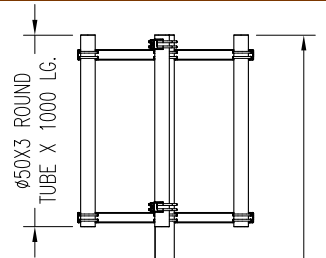


ALL FASTENERS M10

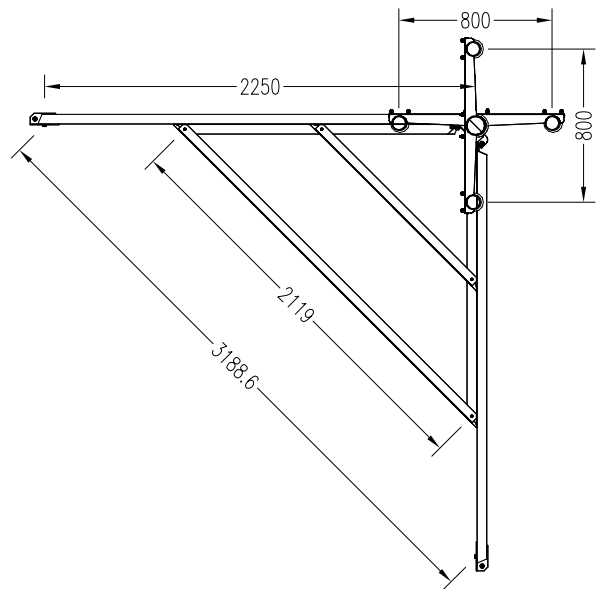
ALL BRACINGS 50 EQUAL ANGLE ALL ROUND



ISOMETRIC VIEW (Typical installation)



FRONT VIEW



TOP VIEW



Graffo Innovative wireless infrastructure solutions

Tel: +27 (0)21 905-0010

Fax: +27 (0)21 905-0020

Web: www.graffo.co.za

Ø102 6m Floor mount with support arms
Part no. : GR112-603-00-00A