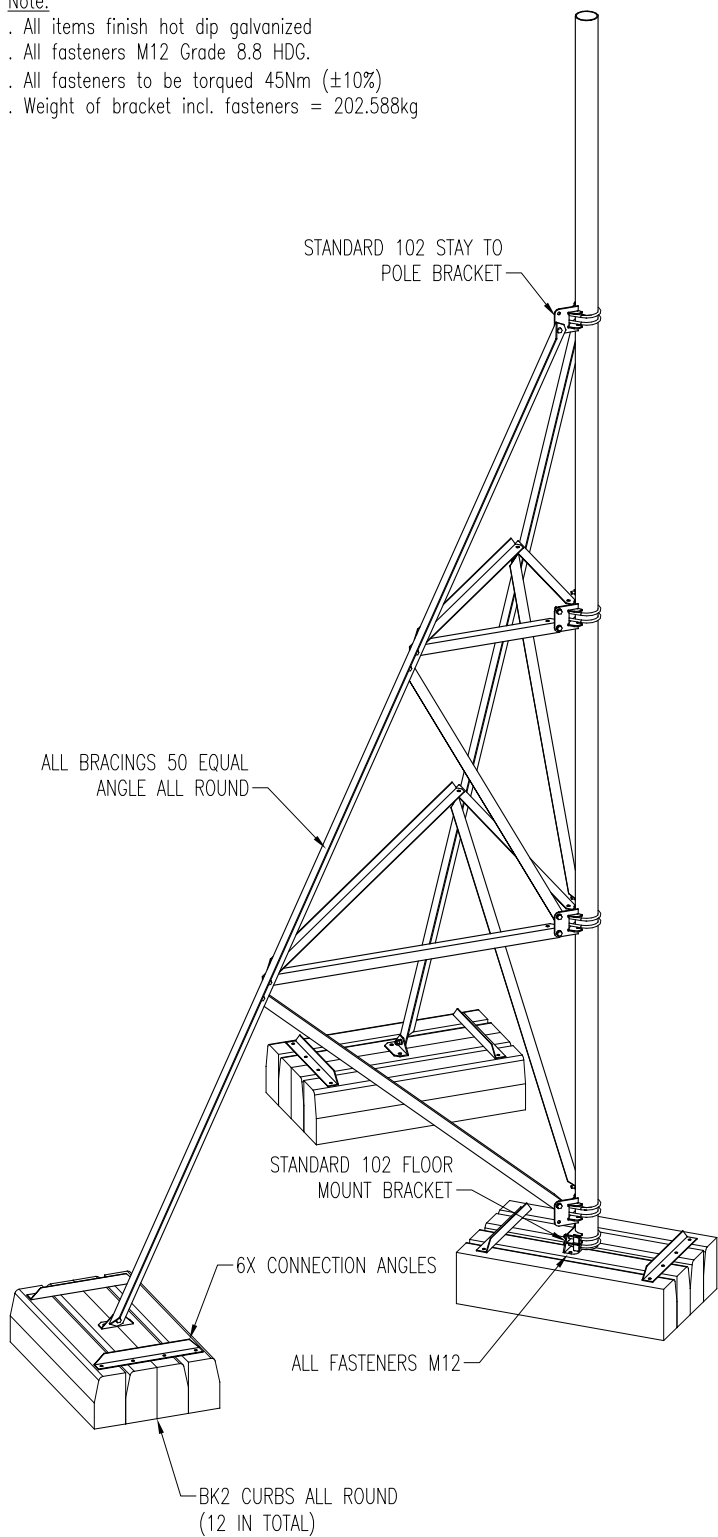
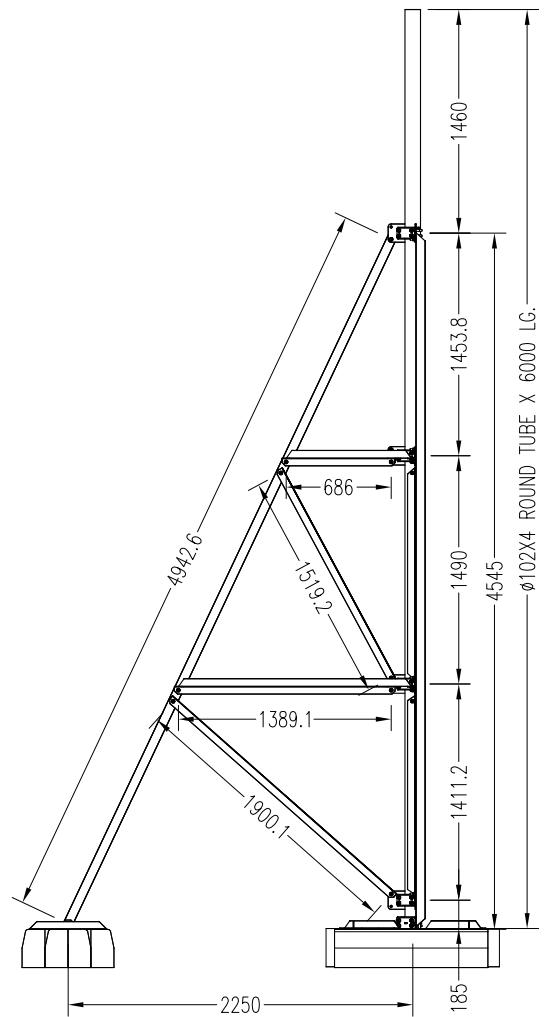


Note:

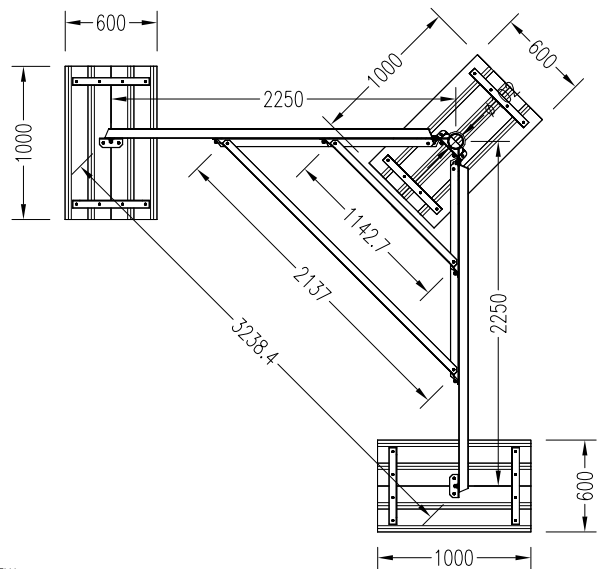
- . All items finish hot dip galvanized
- . All fasteners M12 Grade 8.8 HDG.
- . All fasteners to be torqued 45Nm ($\pm 10\%$)
- . Weight of bracket incl. fasteners = 202.588kg



ISOMETRIC VIEW (Typical installation)



FRONT VIEW



TOP VIEW



Graffo Innovative wireless infrastructure solutions

Tel: +27 (0)21 905-0010

Fax: +27 (0)21 905-0020

Web: www.graffo.co.za

Ø102 x6m Floor mount with support arms, non penetrating with BK2 curbs
Part no. : GR112-603-00-01A