

Note:

- Values stated in Specifications are for bracket only, tower structure to be checked for additional loading before installation
- All items finish hot dip galvanized
- All fasteners M10 Grade 8.8 HDG.
- All fasteners to be torqued 47Nm (±5%)
- Weight of bracket incl. fasteners = 28.226kg.

Specifications

Design Criteria

SANS 10160(Wind load) | SANS 10162(Structural)

Safe work load

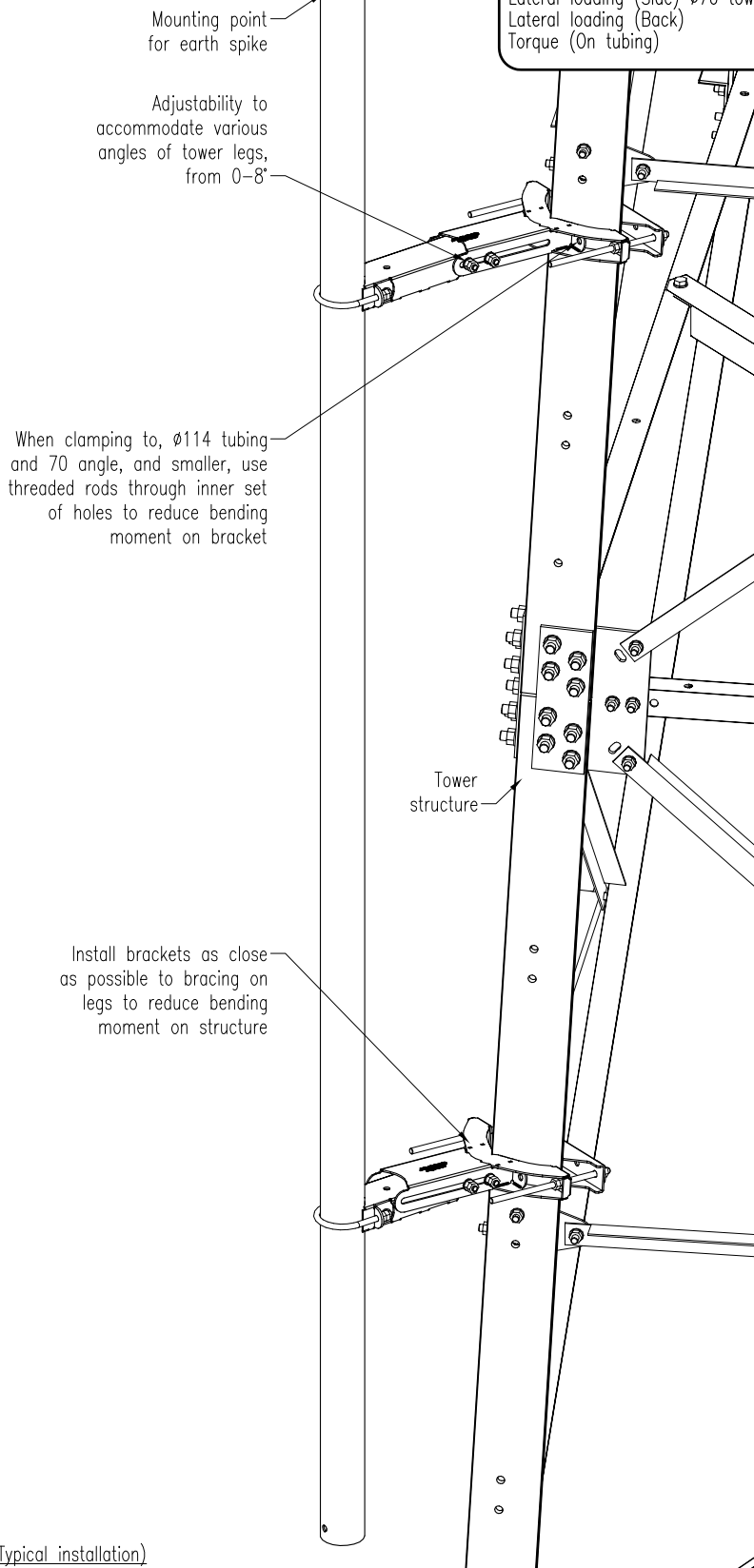
Dead weight	A	100kg
Lateral loading (Front)	B	300kg
Lateral loading (Side) Ø76 tower leg	C	100kg
Lateral loading (Back)	D	300kg
Torque (On tubing)	E	1200Nm

Parts list

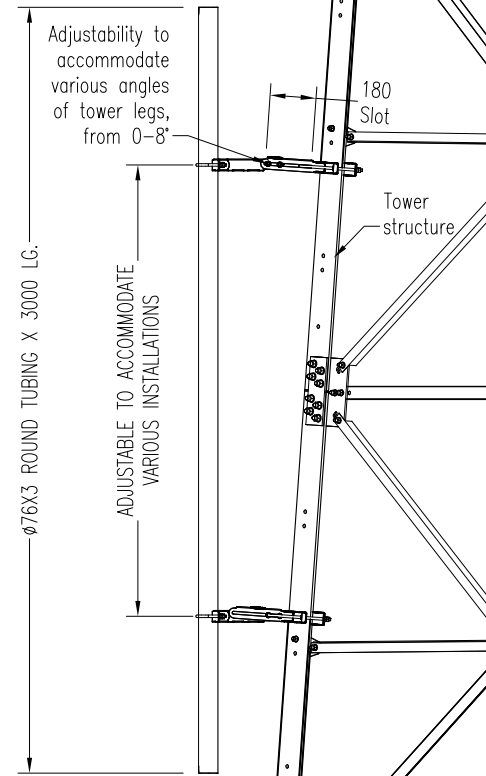
Qty/Description	Part number
1x 3m Ø76 Pole	RTU167
2x Saddle	GR112/101/03-00
2x Pole sliding clamp	GR112/101/02-00
2x Slider section	GR112/151/01-00

Fastners list

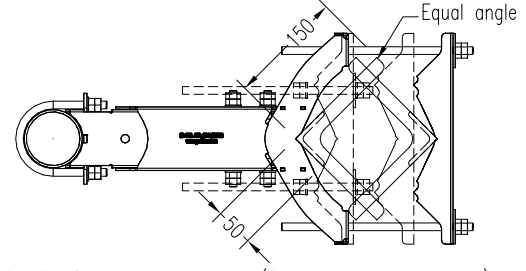
Description	Qty
M10X30 HDG Setscrew	8
M10x250 Threaded rod	4
M10 Hex nut	40
M10 Flat washer	24
M10 Fender washer	4
M10 X Ø76 U-Bolt	2



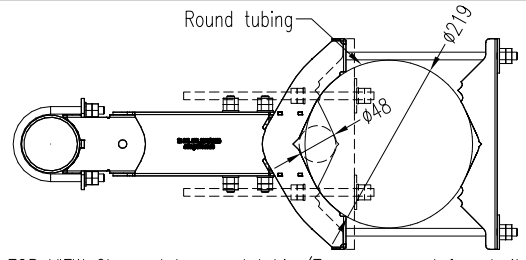
When clamping to, Ø114 tubing and 70 angle, and smaller, use threaded rods through inner set of holes to reduce bending moment on bracket



SIDE VIEW



TOP VIEW Clamped to angle iron (Tower removed for clarity)



TOP VIEW Clamped to round tubing (Tower removed for clarity)

ISOMETRIC VIEW (Typical installation)



Graffo Innovative wireless infrastructure solutions

Tel: +27 (0)21 905-0010

Fax: +27 (0)21 905-0020

Web: www.graffo.co.za

Height adjustable tower to pole
3m Ø76 bracket with
275mm - 410mm stand-off
adjustability
Part no. : GR112-154-00-00B