

Note:

- . Values stated in Specifications are for bracket only, tower structure to be checked for additional loading before installation
- . All items finish hot dip galvanized
- . All fasteners M10 Grade 8.8 HDG.
- . All fasteners to be torqued 47Nm (±5%)
- . Weight of bracket incl. fasteners = 33.106kg.

Specifications

Design Criteria

SANS 10160(Wind load) | SANS 10162(Structural)

Safe work load

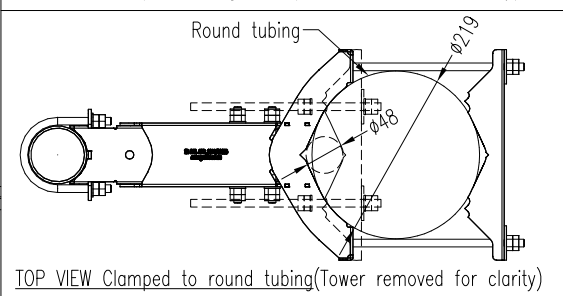
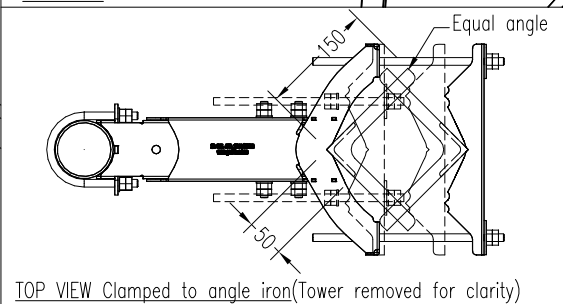
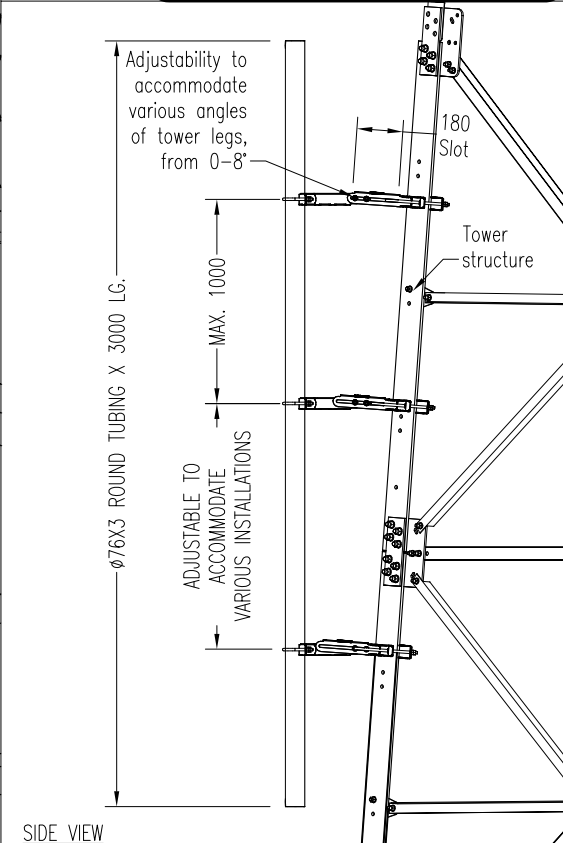
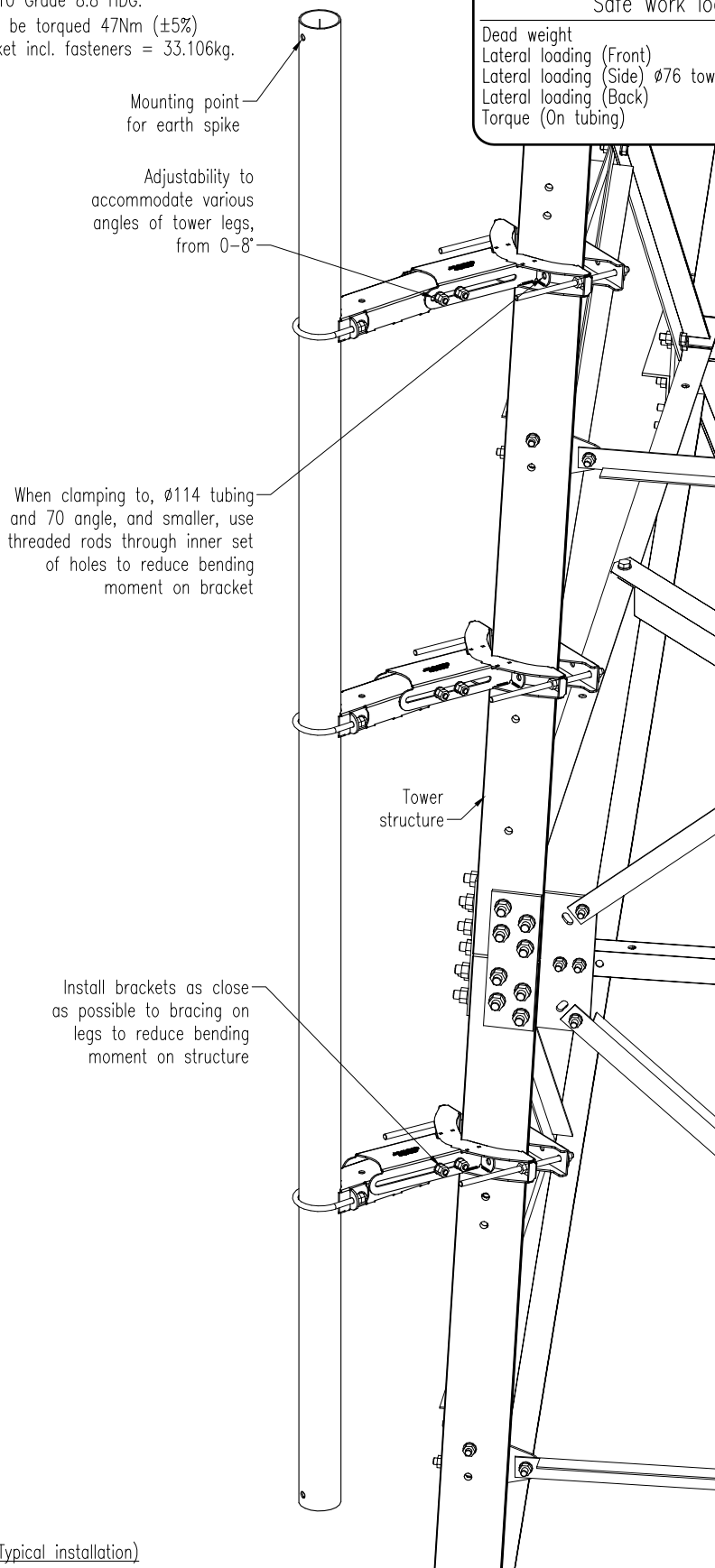
Dead weight	A	100kg
Lateral loading (Front)	B	300kg
Lateral loading (Side) Ø76 tower leg	C	100kg
Lateral loading (Back)	D	300kg
Torque (On tubing)	E	1200Nm

Parts list

Qty/Description	Part number
1x 3m Ø76 Pole	RTU167
3x Saddle	GR112/101/03-00
3x Pole sliding clamp	GR112/101/02-00
3x Slider section	GR112/151/01-00

Fastners list

Description	Qty
M10X30 HDG Setscrew	12
M10x250 Threaded rod	6
M10 Hex nut	60
M10 Flat washer	36
M10 Fender washer	6
M10 X Ø76 U-Bolt	3



ISOMETRIC VIEW (Typical installation)



Graffo Innovative wireless infrastructure solutions

Tel: +27 (0)21 905-0010

Fax: +27 (0)21 905-0020

Web: www.graffo.co.za

Height adjustable tower to pole
3m Ø76 bracket with 3 brackets
275mm - 410mm stand-off
adjustability
Part no. : GR112-155-00-00B