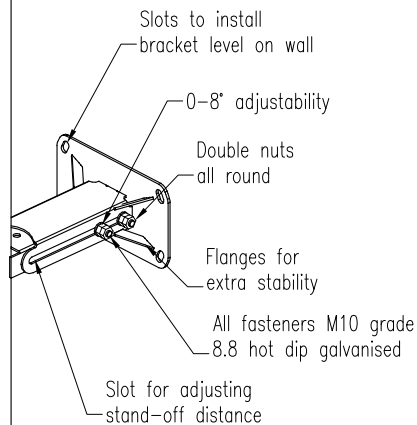


Note:

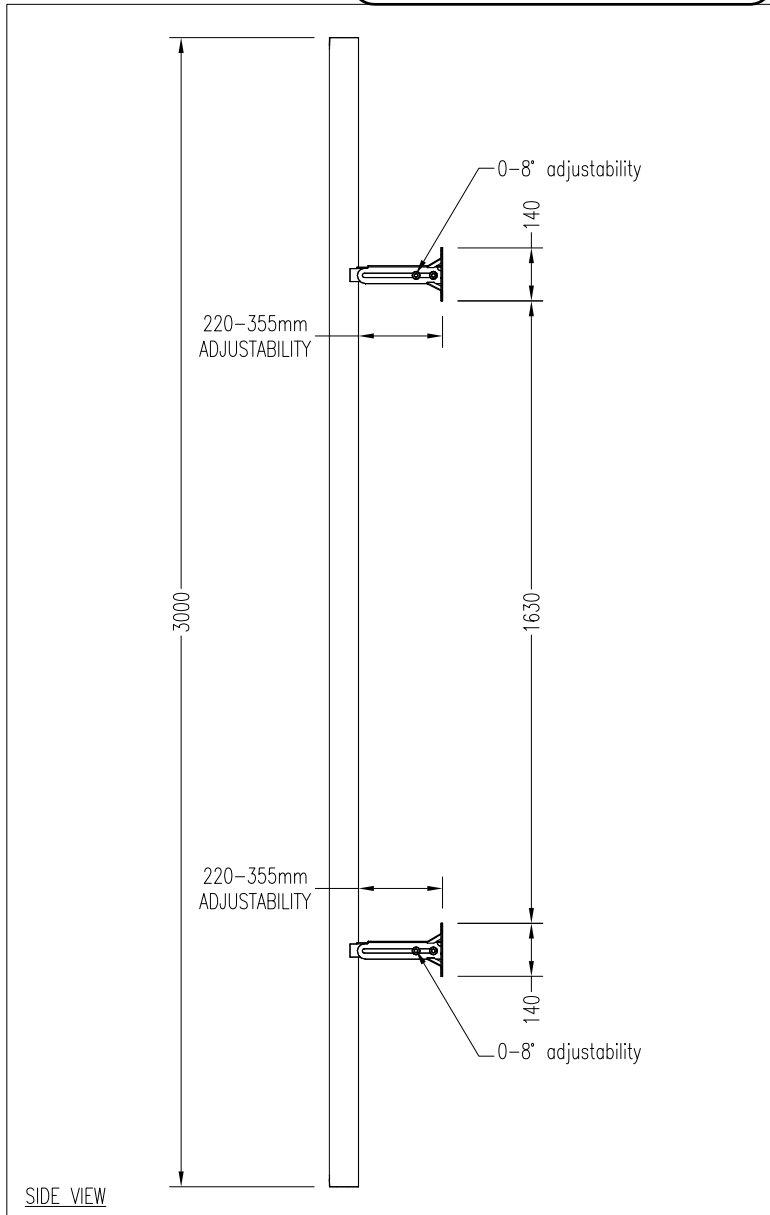
- . Values stated in Specifications are for bracket only, in compliance with a good anchoring system and wall structure.
- . All items finish hot dip galvanized
- . All fasteners M10 Grade 8.8 HDG.
- . All Grade 8.8 fasteners to be torqued 45Nm (±10%)
- . Weight of bracket incl. fasteners = 24.527kg



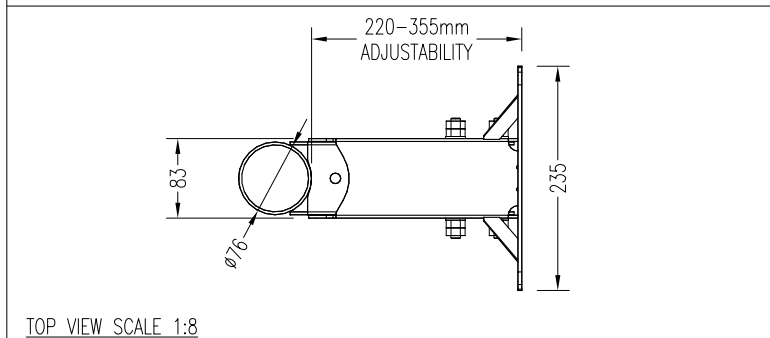
ISOMETRIC VIEW

Specifications	
Design Criteria	
SANS 10160(Wind load) SANS 10162(Structural)	
Safe work load	
Dead weight	A 100kg
Lateral loading (Front)	B 300kg
Lateral loading (Side) Ø76 tower leg	C 100kg
Lateral loading (Back)	D 300kg
Torque (On tubing)	E 1200Nm

Parts list	
Qty/Description	Part number
2x Wall to pole bracket	GR112/201/01-00
1x 3m Ø76 Pole	GR112/105/01-00
Fasteners list	
Description	Qty
M10X30 HDG Setscrew	8
M10 Hex nut	16
M10 Flat washer	16



SIDE VIEW



TOP VIEW SCALE 1:8



Graffo Innovative wireless infrastructure solutions

Tel: +27 (0)21 905-0010

Fax: +27 (0)21 905-0020

Web: www.graffo.co.za

Wall to pole 3m Ø76 bracket with 220mm - 355mm stand-off adjustability
Part no. : GR112-205-00-00B