

Note:

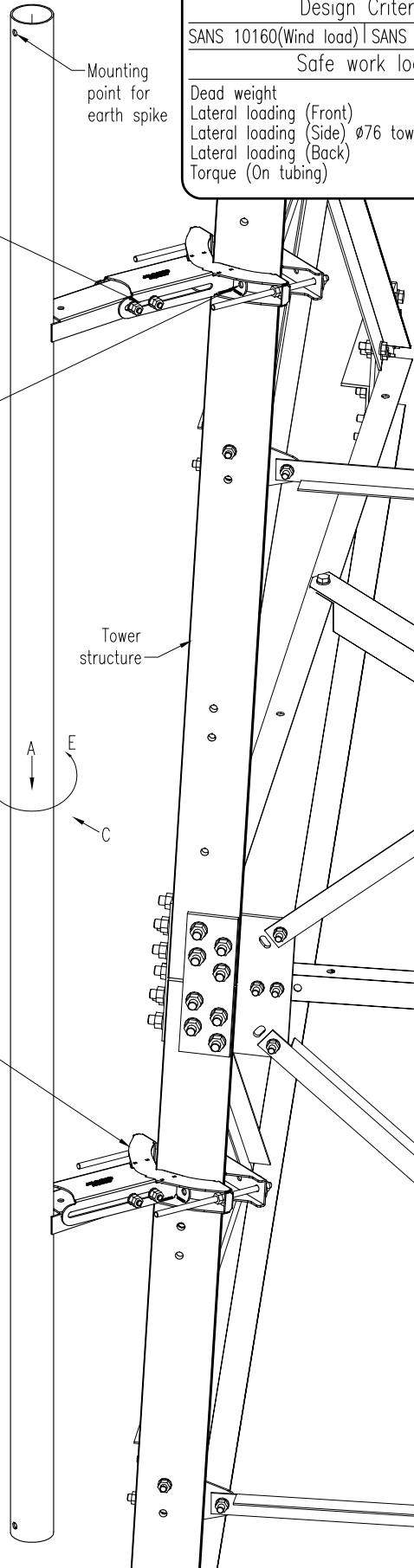
. Values stated in Specifications are for bracket only, tower structure to be checked for additional loading before installation

- . All items finish hot dip galvanized
- . All fasteners M12 Grade 8.8 HDG.
- . All fasteners to be torqued 80Nm (±5%)
- . Weight of bracket incl. fasteners = 26.52kg.

Adjustability to accommodate various angles of tower legs, from 0-4°

When clamping to, Ø114 tubing and 70 angle, and smaller, use threaded rods through inner set of holes to reduce bending moment on bracket.

Install brackets as close as possible to bracing on legs to reduce bending moment on structure



ISOMETRIC VIEW (Typical installation)

Specifications

Design Criteria

SANS 10160(Wind load) | SANS 10162(Structural)

Safe work load

Dead weight	A	100kg
Lateral loading (Front)	B	300kg
Lateral loading (Side) Ø76 tower leg	C	100kg
Lateral loading (Back)	D	300kg
Torque (On tubing)	E	1200Nm

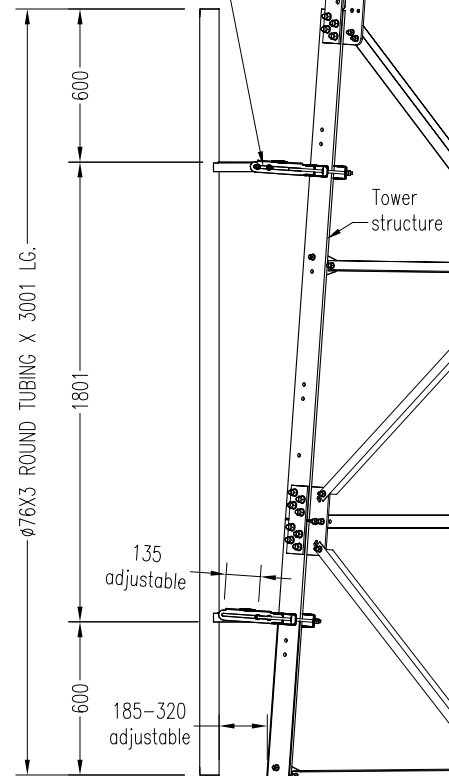
Parts list

Qty/Description	Part number
1x 3M Pole	GR112/105/01-00
2x Saddle	GR112/101/03-00
2x Pole sliding clamp	GR112/101/02-00

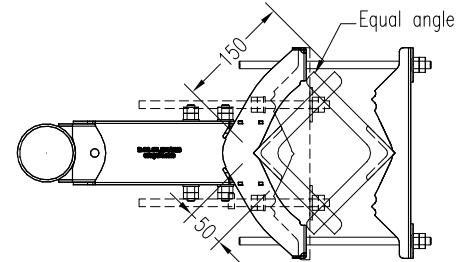
Fastners list

Description	Qty
M10X30 HDG Setscrew	8
M10x250 Threaded rod	4
M10 Hex nut	32
M10 Flat washer	20
M10 Fender washer	4

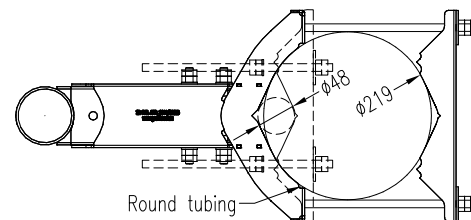
Adjustability to accommodate various angles of tower legs, from 0-4°



SIDE VIEW



TOP VIEW Clamped to angle iron(Tower removed for clarity)



TOP VIEW Clamped to round tubing(Tower removed for clarity)



Graffo Innovative wireless infrastructure solutions

Tel: +27 (0)21 905-0010

Fax: +27 (0)21 905-0020

Web: www.graffo.co.za

**Tower to pole
3m Ø76**

Part no. : GR112-105-00-00B
ZA PAT. APP. 2011/02655