

Note:

- Values stated in Specifications are for bracket only, tower structure to be checked for additional loading before installation
- All items finish hot dip galvanized
- All fasteners M12 Grade 8.8 HDG.
- All fasteners to be torqued 80Nm ($\pm 10\%$)
- Weight of bracket incl. fasteners = 54.081kg

Specifications

Design Criteria

SANS 10160(Wind load) | SANS 10162(Structural)

Safe work load

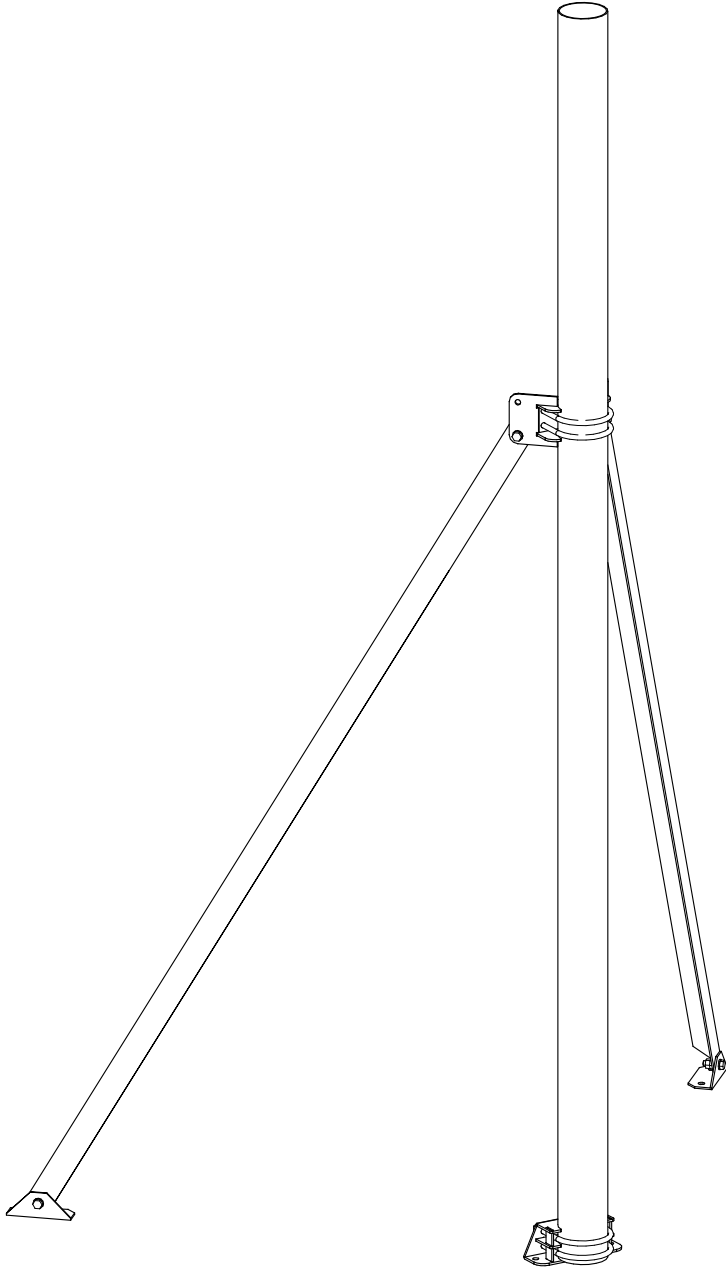
Dead weight	A	300kg
Lateral loading (Front) Combined	B	250kg
Lateral loading (Side) Combined	C	250kg
Lateral loading (Back) Combined	D	250kg
Torque (On tubing)	E	2000Nm

Parts list

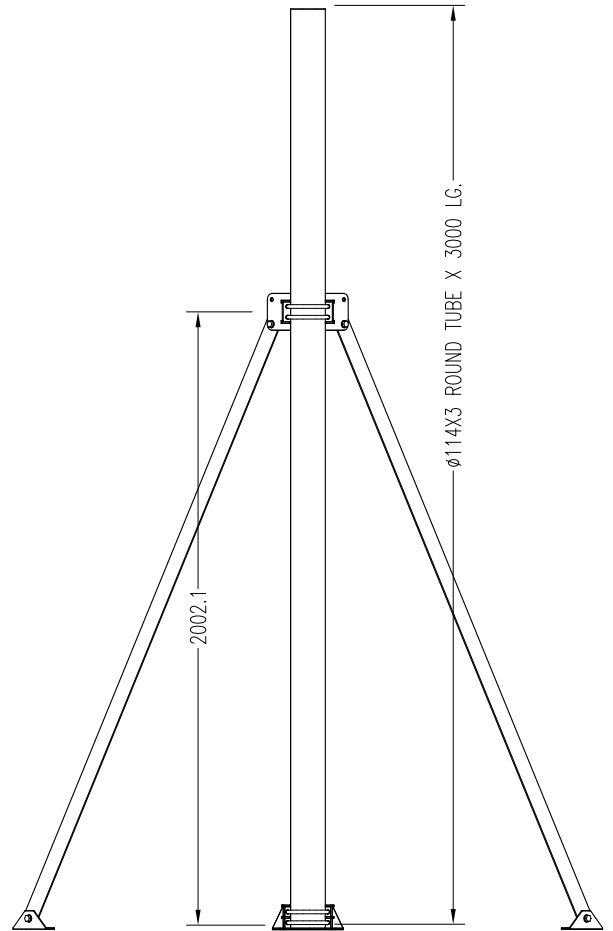
Qty/Description	Part number
1x3m $\phi 114$ pole	RTU219
1xBottom support bracket	GR112/504/01-00
1xTop support bracket	GR112/504/02-00
2xStays	GR112/504/03-00
2xStay to ground bracket	GR112/504/04-00

Fasteners list

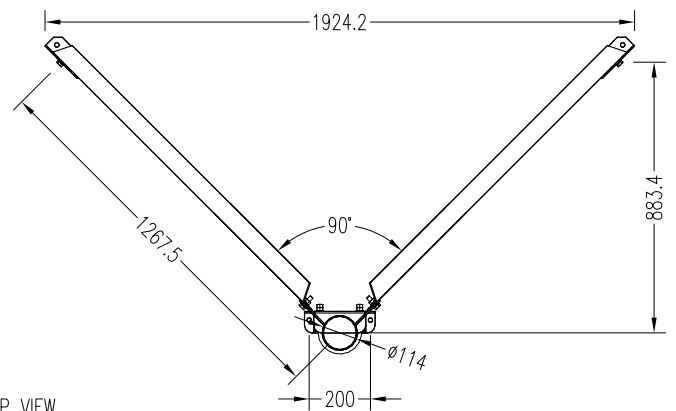
Description	Qty
M12X40 HDG Setscrew	4
M12 Hex nut	24
M12 Flat washer	16
M12 X $\phi 114$ U-Bolt	4



ISOMETRIC VIEW (Typical installation)



FRONT VIEW



TOP VIEW



Graffo Innovative wireless infrastructure solutions

Tel: +27 (0)21 905-0010

Fax: +27 (0)21 905-0020

Web: www.graffo.co.za

3m $\phi 114$ Floor mount with support arms
Part no. : GR112-504-00-00B