

**Note:**

- Values stated in Specifications are for bracket only, tower structure to be checked for additional loading before installation
- All items finish hot dip galvanized
- All fasteners M10 Grade 8.8 HDG.
- All fasteners to be torqued 47Nm (±5%)
- Weight of bracket incl. fasteners = 22.069kg.

**Specifications**

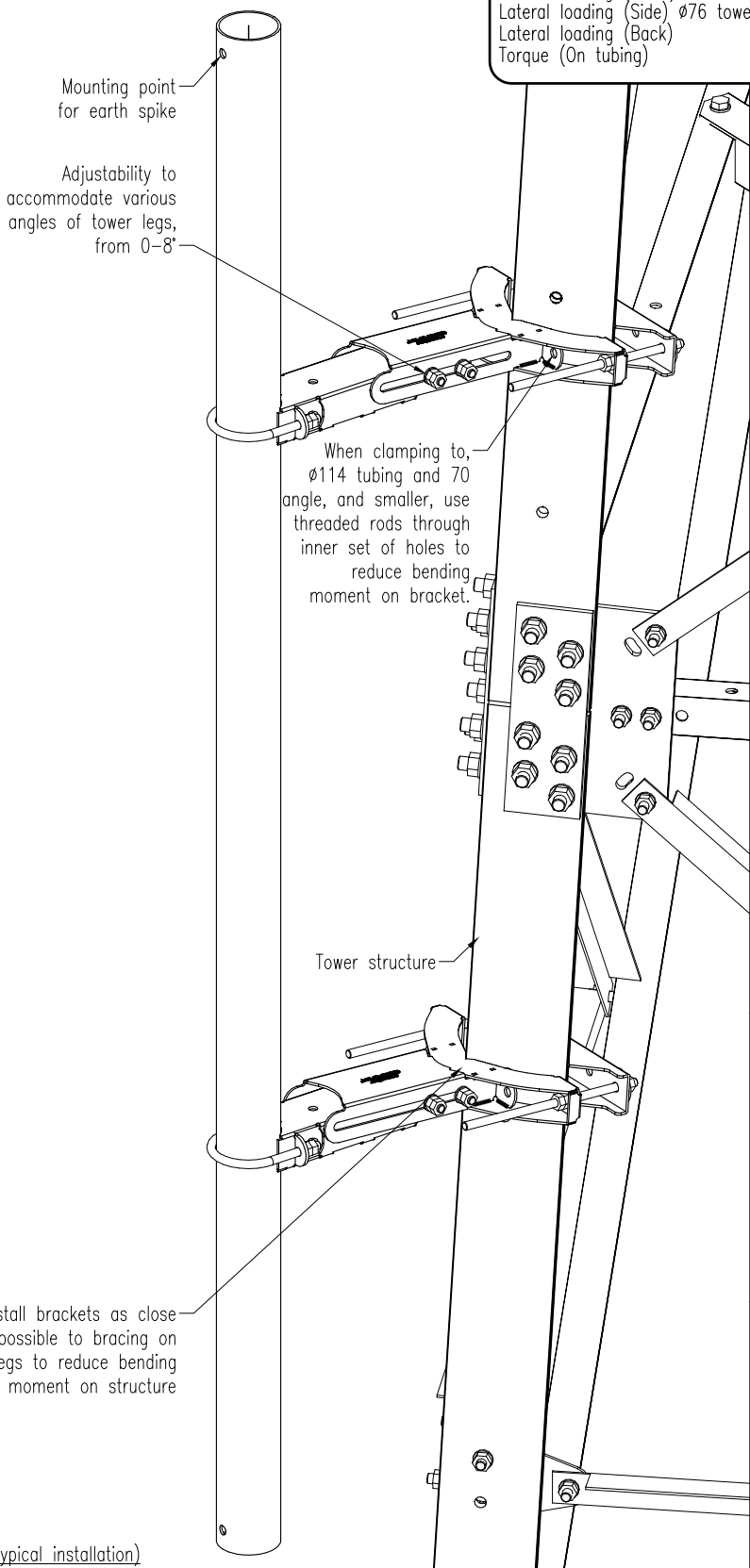
Design Criteria	
SANS 10160(Wind load)	SANS 10162(Structural)
Safe work load	
Dead weight	A 100kg
Lateral loading (Front)	B 300kg
Lateral loading (Side) Ø76 tower leg	C 100kg
Lateral loading (Back)	D 300kg
Torque (On tubing)	E 1200Nm

**Parts list**

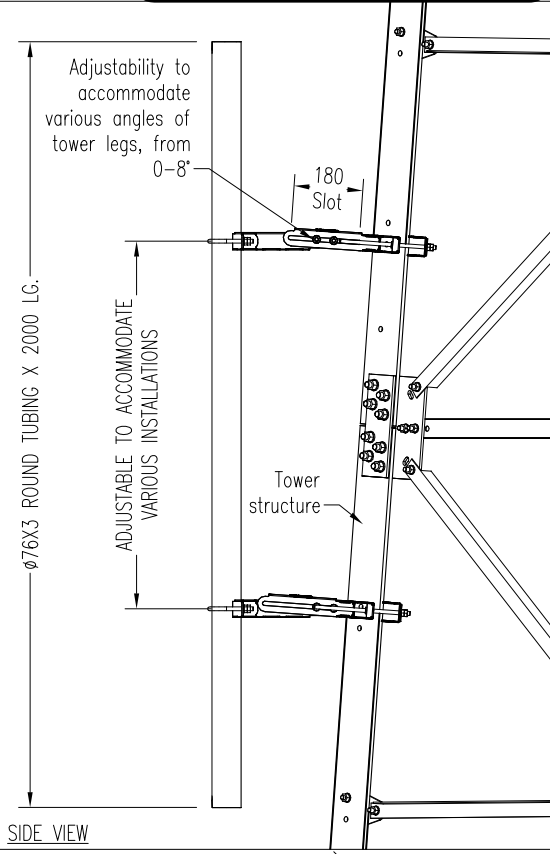
Qty/Description	Part number
1x 2m Ø76 Pole	RTU163
2x Saddle	GR112/101/03-00
2x Pole sliding clamp	GR112/101/02-00
2x Slider section	GR112/151/01-00

**Fastners list**

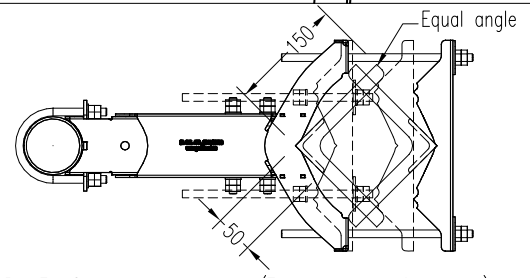
Description	Qty
M10X30 HDG Setscrew	8
M10x250 Threaded rod	4
M10 Hex nut	40
M10 Flat washer	24
M10 Fender washer	4
M10 X Ø76 U-Bolt	2



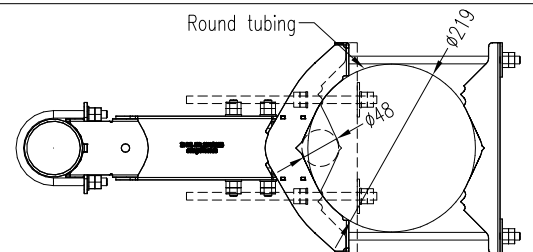
ISOMETRIC VIEW (Typical installation)



SIDE VIEW



TOP VIEW Clamped to angle iron (Tower removed for clarity)



TOP VIEW Clamped to round tubing (Tower removed for clarity)



**Graffo** Innovative wireless infrastructure solutions

Tel: +27 (0)21 905-0010

Fax: +27 (0)21 905-0020

Web: www.graffo.co.za

Height adjustable tower to pole  
2m Ø76 bracket with  
275mm - 410mm stand-off  
adjustability  
Part no. : GR112-153-00-00B