

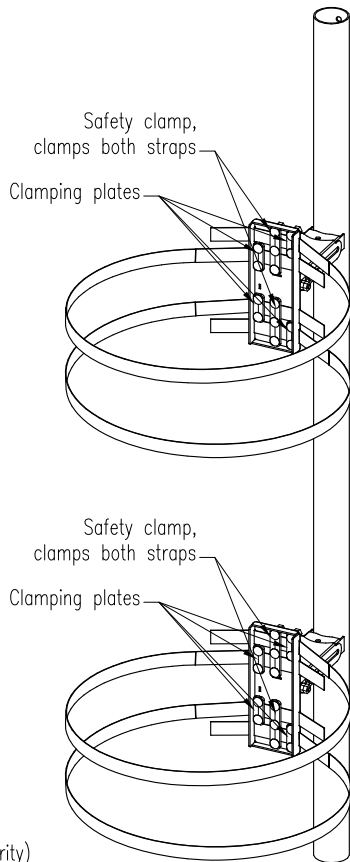
ISOMETRIC VIEW

Note:

- . Bracket can be tensioned from either side.
- . Center row of bolts is for safety clamp.
- . Install tensioning tool before releasing clamps.
- . Excess strapping to be removed (leave min. 80mm), and folded away to prevent injury. In future bracket can be re-tensioned should it be required.

Note:

- . Values stated in Specifications are for bracket only, tower structure to be checked for additional loading before installation
- . All items finish hot dip galvanized
- . All 304 Stainless steel fasteners to be torqued 45Nm ($\pm 10\%$)
- . Weight of bracket incl. fasteners = 26.71kg



ISOMETRIC VIEW (Monopole removed for clarity)

Specifications

Design Criteria

SANS 10160(Wind load) | SANS 10162(Structural)

Safe work load

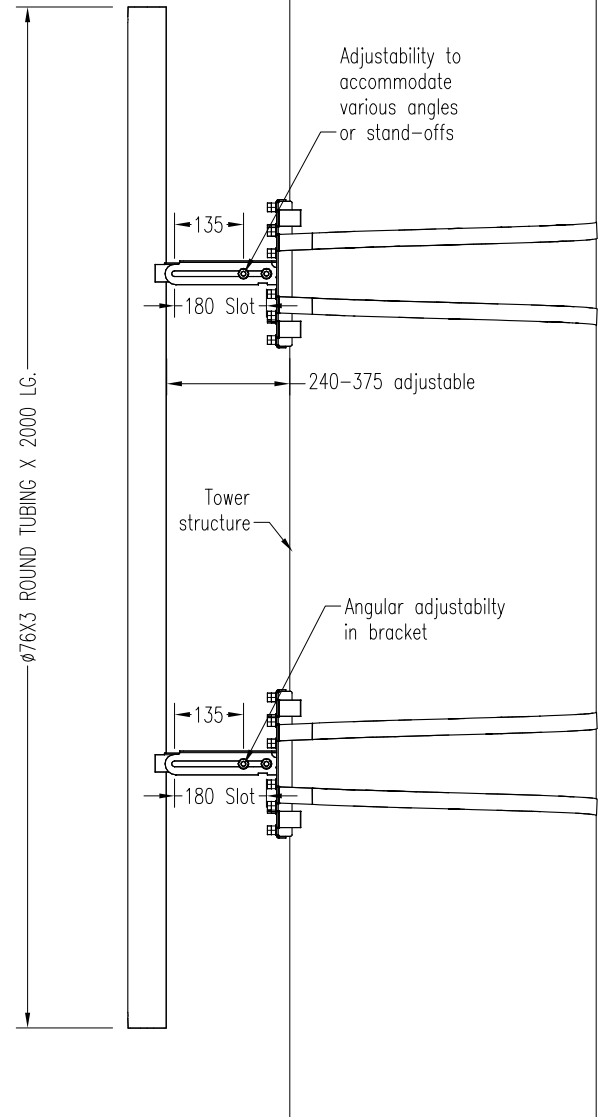
Dead weight	A	100kg
Lateral loading (Front) Combined	B	300kg
Lateral loading (Side) Combined	C	100kg
Lateral loading (Back) Combined	D	300kg
Torque (On tubing)	E	1200Nm

Parts list

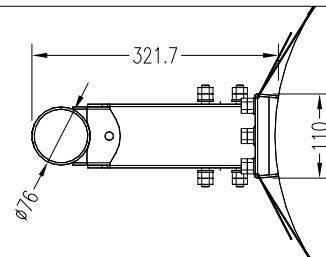
Qty/Description	Part number
1x 2m $\varnothing 76$ pole	GR112/104/01-00
2x Monopole bracket	GR112/301/01-00
4x Long clamping bracket	GR112/301/02-00
8x Short clamping bracket	GR112/301/03-00

Fastners list

Description	Qty
M10X30 304S/S Setscrew	8
M10x30 Cup square bolt	28
M10 Hex nut	72
31.8x1.2 flat strap	4x 4m lengths
M10 Flat washer	44



SIDE VIEW



TOP VIEW



Graffo Innovative wireless infrastructure solutions

Tel: +27 (0)21 905-0010

Fax: +27 (0)21 905-0020

Web: www.graffo.co.za

One-way Monopole
2m $\varnothing 76$
Monopole range $\varnothing 600-1200$
Part no. : GR112-304-00-00B