

**Note:**

- . Values stated in Specifications are for bracket only, tower structure to be checked for additional loading before installation
- . All items finish hot dip galvanized
- . All fasteners M12 Grade 8.8 HDG.
- . All fasteners to be torqued 80Nm ( $\pm 10\%$ )
- . Weight of bracket incl. fasteners = 45.248kg.

**Specifications**

**Design Criteria**

SANS 10160(Wind load) | SANS 10162(Structural)

**Safe work load**

Dead weight	A	200kg
Lateral loading (Front)	B	650kg
Lateral loading (Side) Depend tower	C	400kg
Lateral loading (Back)	D	650kg
Torque (On tubing)	E	2500Nm

**Parts list**

Qty/Description	Part number
1x 2M Pole	GR112/122/01-00
2x Saddle	GR112/120/03-00
2x Top pole sliding clamp	GR112/120/02-00

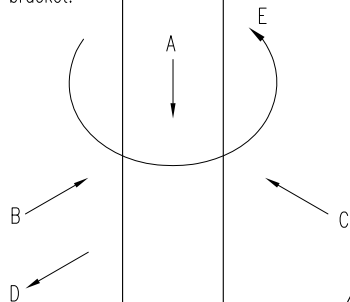
**Fastners list**

Description	Qty
M12X40 HDG Setscrew	8
M12x330 Threaded rod	4
M12 Hex nut	32
M12 Flat washer	20
M12 Fender washer	4

Mounting point for earth spike

Adjustability to accommodate various angles of tower legs, from 0-9°

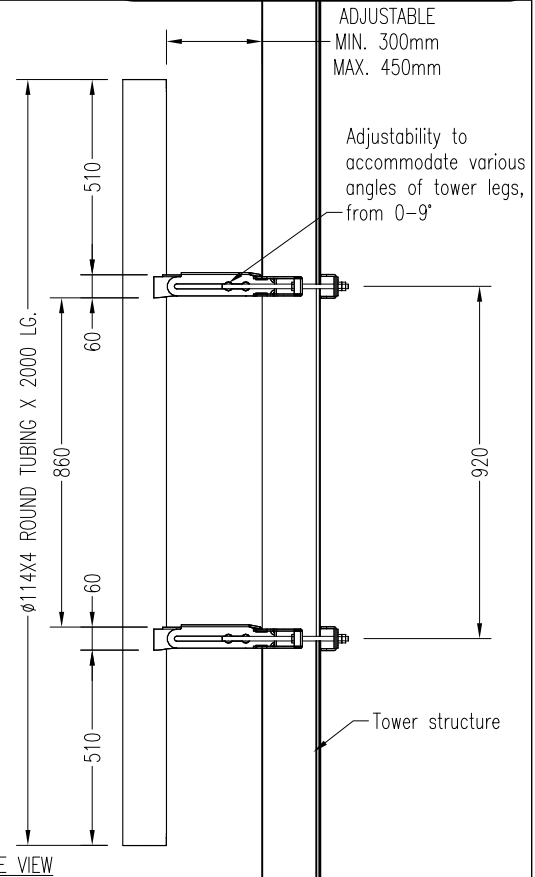
When clamping smaller than,  $\phi 127$  tubing and 130 angle, use threaded rods through inner set of holes to reduce bending moment on bracket.



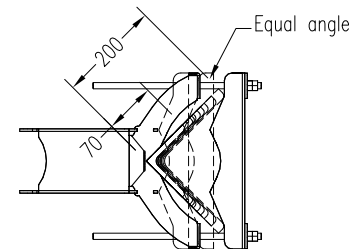
ISOMETRIC VIEW (Typical installation)

Tower structure

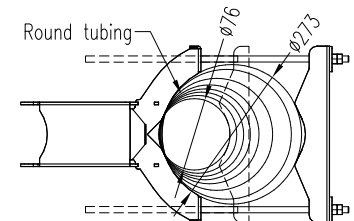
Install brackets as close as possible to bracing on legs to reduce bending moment on structure



SIDE VIEW



TOP VIEW Clamped to angle iron (Tower removed for clarity)



TOP VIEW Clamped to round tubing (Tower removed for clarity)



**Graffo** Innovative wireless infrastructure solutions

Tel: +27 (0)21 905-0010

Fax: +27 (0)21 905-0020

Web: www.graffo.co.za

**HD Microwave dish bracket, 2m  $\phi 114$**   
 Part no. : GR112-122-00-00B  
 ZA PAT. APP. 2011/02655