

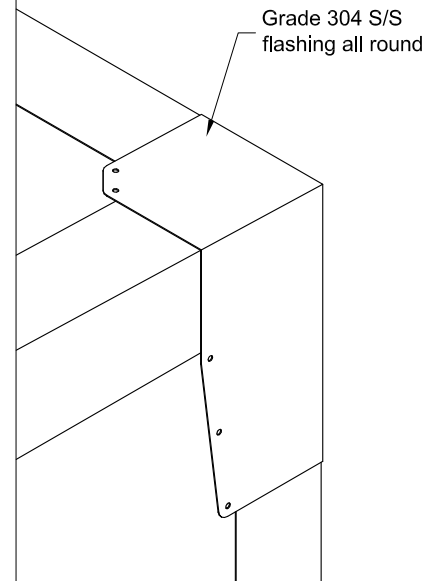
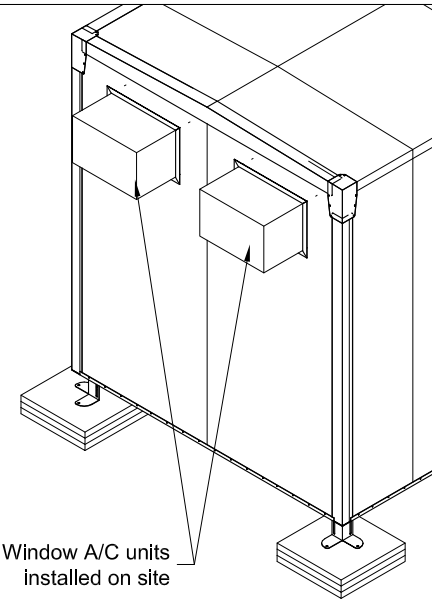
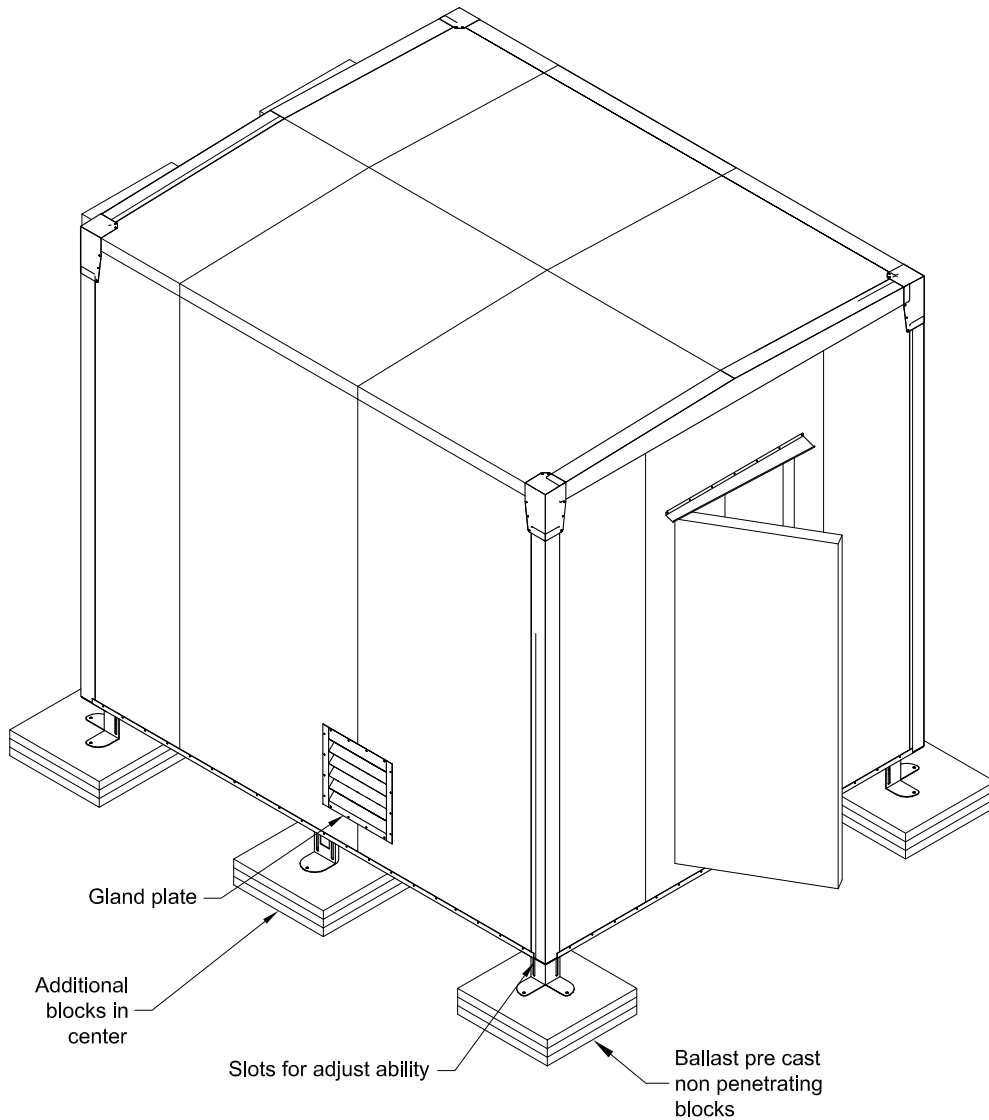
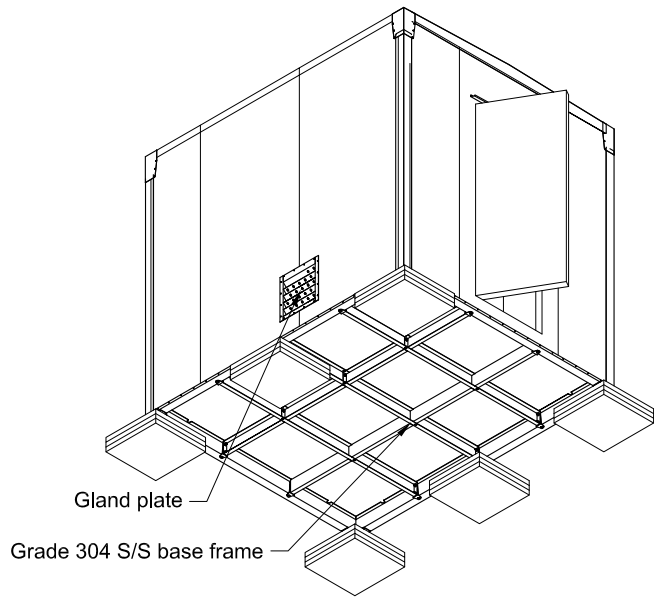
2.4x3m Equipment housing

Container criteria

- . all steel work consist of grade 304 S/S.
- . Container can be pre packed and assembled on site.
- . 100 mm adjustment at all 4 legs.
- . All fasteners grade 304 S/S.
- . All rivets used are blind rivets with .
- . Aluminum shaft to prevent rusting after installation.
- . Container is easily extendible in 600 or 1200 intervals.

Specifications

- . Size (internal): 2,38(W)x2,96(L)x2,5(H).
- . 75 mm thick panel sandwich with 0.58 cromadec either side of 16 density polystyrene inner core, laminated using @2 polyurethane adhesive, pre galvanised, epoxy coated frost white color finish.
- . Housing electronic equipment in a controlled environment, at altitudes ranging from sea level to 3 000 m.
- . Ambient temperatures ranging from 0 °C to + 40 °C.
- . Maximum relative humidity of 90%.
- . Wind speeds of up to 126 kph (35m/s).
- . Expected service life 10 years.
- . floor can carrying 400-kg/sq meter.



Graffo *Innovative wireless infrastructure solutions*

Tel: +27 (0)21 905-0010

Fax: +27 (0)21 905-0020

Web: www.graffo.co.za