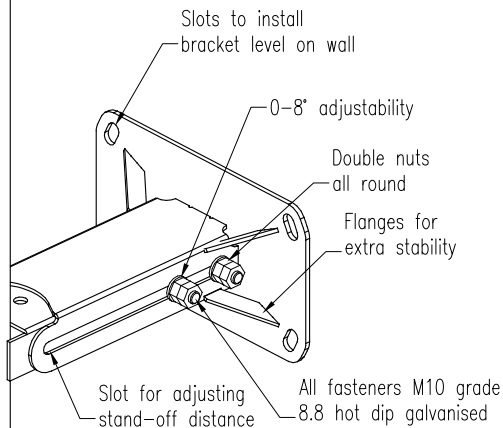


Ø76 Round tubing

**Note:**

- . Values stated in Specifications are for bracket only, in compliance with a good anchoring system and wall structure.
- . All items finish hot dip galvanized
- . All fasteners M10 Grade 8.8 HDG.
- . All Grade 8.8 fasteners to be torqued 45Nm (±10%)
- . Weight of bracket incl. fasteners = 15.286kg



ISOMETRIC VIEW

**Specifications**

Design Criteria

SANS 10160(Wind load) | SANS 10162(Structural)

Safe work load

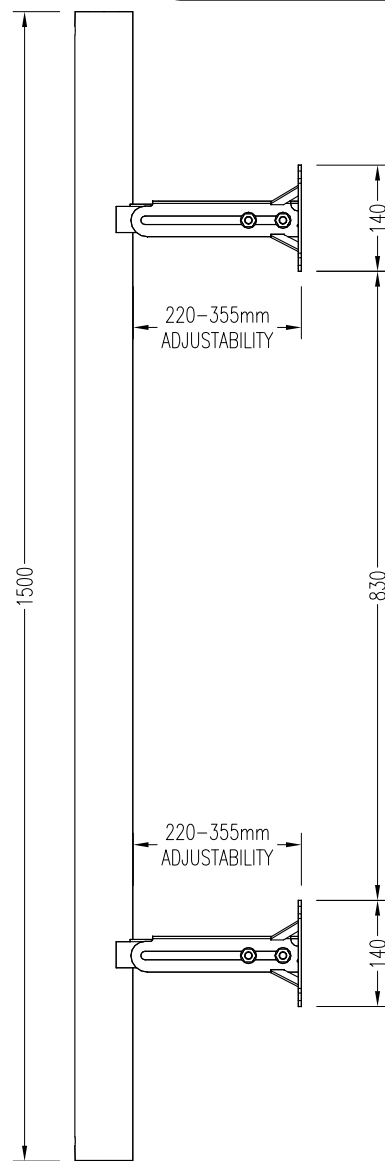
Dead weight	A	100kg
Lateral loading (Front)	B	300kg
Lateral loading (Side) Ø76 tower leg	C	100kg
Lateral loading (Back)	D	300kg
Torque (On tubing)	E	1200Nm

**Parts list**

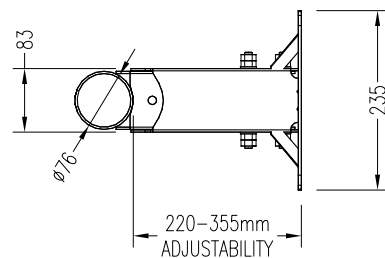
Qty/Description	Part number
2x Wall to pole bracket	GR112/201/01-00
1x 1.5m Ø76 Pole	GR112/103/01-00

**Fasteners list**

Description	Qty
M10X30 HDG Setscrew	8
M10 Hex nut	16
M10 Flat washer	16



SIDE VIEW



TOP VIEW



**Graffo** Innovative wireless infrastructure solutions

Tel: +27 (0)21 905-0010

Fax: +27 (0)21 905-0020

Web: www.graffo.co.za

Wall to pole 1.5m Ø76 bracket with 220mm - 355mm stand-off adjustability  
Part no. : GR112-203-00-00B