

**Note:**

. Values stated in Specifications are for bracket only, tower structure to be checked for additional loading before installation

- . All items finish hot dip galvanized
- . All fasteners M12 Grade 8.8 HDG.
- . All fasteners to be torqued 80Nm (±10%)
- . Weight of bracket incl. fasteners = 39.046kg.

**Specifications**

**Design Criteria**

SANS 10160(Wind load) | SANS 10162(Structural)

**Safe work load**

Dead weight	A	200kg
Lateral loading (Front)	B	650kg
Lateral loading (Side) Depend tower	C	400kg
Lateral loading (Back)	D	650kg
Torque (On tubing)	E	2500Nm

**Parts list**

Qty/Description	Part number
1x 1.5M Pole	GR112/121/01-00
2x Saddle	GR112/120/03-00
2x Top pole sliding clamp	GR112/120/02-00

**Fastners list**

Description	Qty
M12X40 HDG Setscrew	8
M12x330 Threaded rod	4
M12 Hex nut	32
M12 Flat washer	20
M12 Fender washer	4

Mounting point for earth spike

Adjustability to accommodate various angles of tower legs, from 0-9°

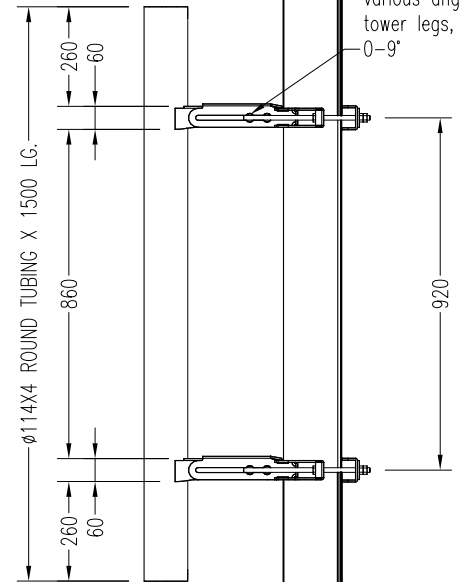
When clamping smaller than, Ø127 tubing and 130 angle, use threaded rods through inner set of holes to reduce bending moment on bracket.

Tower structure

Install brackets as close as possible to bracing on legs to reduce bending moment on structure

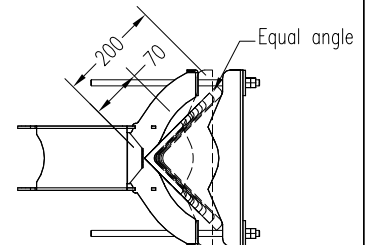
ADJUSTABLE  
MIN. 250mm  
MAX. 385mm

Adjustability to accommodate various angles of tower legs, from 0-9°

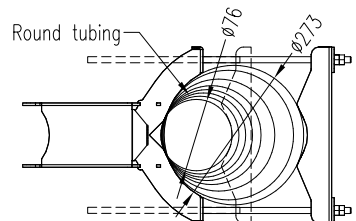


SIDE VIEW

Tower structure



TOP VIEW Clamped to angle iron (Tower removed for clarity)



TOP VIEW Clamped to round tubing (Tower removed for clarity)

ISOMETRIC VIEW (Typical installation)



**Graffo** Innovative wireless infrastructure solutions

Tel: +27 (0)21 905-0010

Fax: +27 (0)21 905-0020

Web: www.graffo.co.za

**HD Microwave dish bracket, 1.5m Ø114**

Part no. : GR112-121-00-00B

ZA PAT. APP. 2011/02655